



# LEVEL & LEAK DETECTION

## LEVEL TRANSMITTERS

### LD34, LD35 SERIES DELTASPAN

#### DESCRIPTION

The Flowline DeltaSpan LD34 and LD35 Series small-bore submersible pressure liquid level transmitters provide continuous level measurement up to 100 ft (30.4m) of water column with a loop powered 4-20 mA signal output.

Select the **LD34 Series** liquid level sensor for monitoring of relatively clean water. Application examples include ballast tanks, ground water, surface water, cooling tower sumps, holding ponds and water tanks.

Select the **LD35 Series** liquid level sensor for dirty, foaming or slurry type liquids. Application examples include sewage lift stations industrial slurries, industrial sumps, landfill leachate, reservoirs, sludge pits and oil tankers.

**NEW!**



LD34



LD35

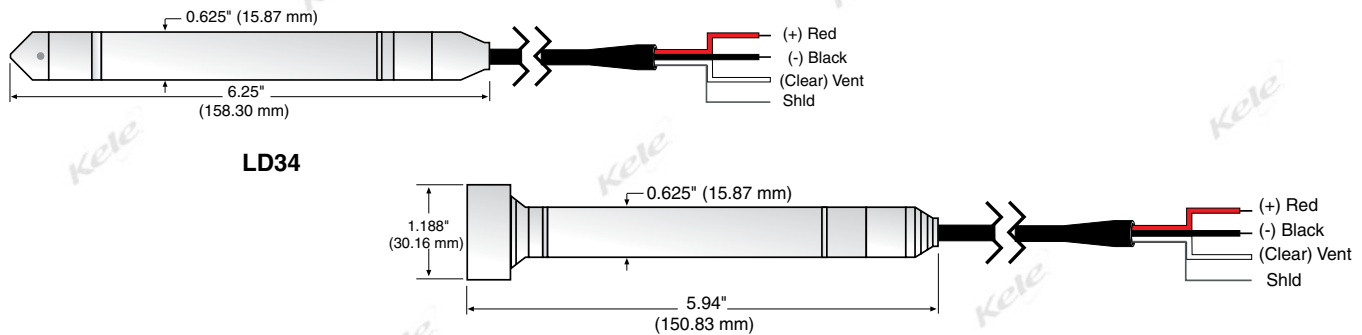
#### FEATURES

- **Welded 316 SS body and 316 SS nose cap (LD34)**
- **Tapered body top prevents damage or snaring when removing from installation**
- **Incorporates lighting and surge protection**
- **Provides precise output readings with its ±0.25% accuracy**
- **Robust PTFE coated FKM fluoroelastomer diaphragm provides a non-stick surface for aggressive fluids (LD35)**

#### SPECIFICATIONS

<b>Supply Voltage</b>	10 to 33 VDC	<b>S141</b>	70 ft (21.3m) (LD34)
<b>Accuracy</b>	± 0.25% of full scale	<b>S151</b>	100 ft (30.5m) (LD34)
<b>Signal Output</b>	4-20 mA, two-wire @ 1000Ω	<b>SX01 &amp; SX11</b>	40 ft (12.2m) (LD35)
<b>Measurement Range</b>		<b>SX21 &amp; SX31</b>	60 ft (18.3m) (LD35)
<b>LD34</b>	up to 100 ft (30.5m)	<b>Cable Type</b>	Polyurethane cable jacket, ETFE cable jacket (LD35 only)
<b>LD35</b>	up to 30 ft (9.1m)	<b>Weight</b>	
<b>Proof Pressure</b>	2 x full scale	<b>LD34</b>	0.24 lb (0.11 Kg)
<b>Process Temperature</b>	-4° to 176°F (-20° to 80°C)	<b>LD35</b>	0.30 lb (0.14 Kg)
<b>Cable Length</b>		<b>Approvals</b>	CE, RoHS
<b>S101 &amp; S111</b>	40 ft (12.2m) (LD34)	<b>Warranty</b>	1 year
<b>S121 &amp; S131</b>	60 ft (18.3m) (LD34)		

#### DIMENSIONS



10

LEVEL & LEAK DETECTION

**NEW!**

# LEVEL & LEAK DETECTION

LEVEL TRANSMITTERS  
LD34, LD35 SERIES DELTASPAN



## ORDERING INFORMATION

MODEL	DESCRIPTION
LD34	Small-bore pressure level transmitter, clean liquid applications
LD35	Small-bore pressure level transmitter, dirty liquid applications
<b>CABLE JACKET</b>	
S1	Polyurethane (Standard)
S2*	ETFE (LD35 only)
<b>RANGE ft (m) and CABLE LENGTH</b>	
01	0-11.55 (0-3.5), 40 ft (12.2m) cable
11	0-15 (0-4.6), 40 ft (12.2m) cable
21	0-20 (0-6.1), 60 ft (18.2m) cable
31	0-30 (0-9.1), 60 ft (18.2m) cable
41**	0-50 (0-15.2), 70 ft (21.3m) cable (LD34 only)
51**	0-100 (0-30.5), 100 ft (30.5m) cable (LD34 only)

LD34

S111

**Example: LD34-S111** Small-bore pressure level transmitter for clean liquid applications with polyurethane cable jacket and 0-15 ft range

\*Cable jacket option only available for LD35 Series

\*\*Ranges only available for LD34 Series

DCPA-1.2  
DCP-1.5-W

### RELATED PRODUCTS

Power supply, 120 VAC IN to 24 VAC/24 VDC OUT

Power supply, 24 VAC IN to 24 VDC OUT

10

LEVEL & LEAK DETECTION